

Yagi Antenna 16 Dbi

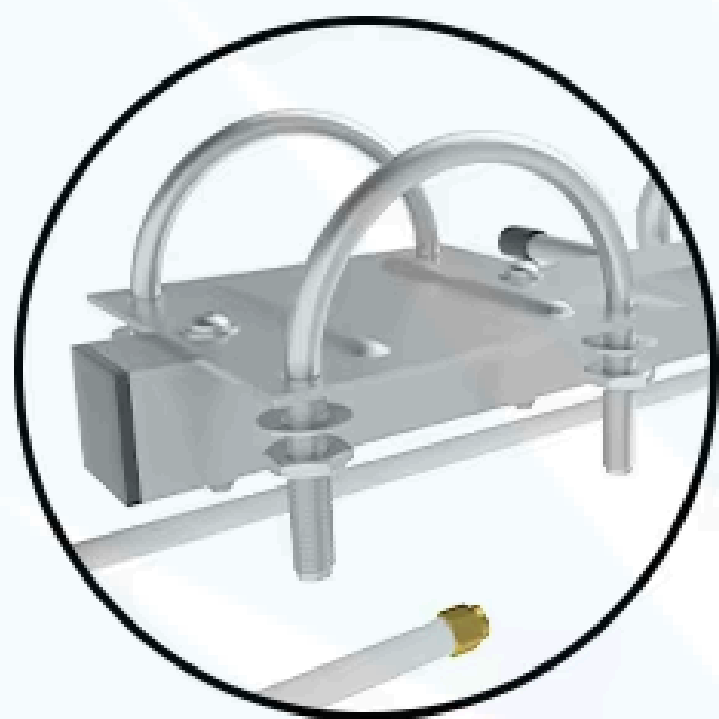


An ISO 9001: 2015 Certified Company



Technical Specifications

Model No	YAGOD4G016
Frequency Range	698-960/1710-2700 MHz
Beam	50±10°
Polarization	Vertical
Gain	16 DBI
Lightning Protection	Direct Ground
VSWR	<1.5:1
Maximum Input Power	100 W
Impedance	50Ω
Antenna Type	Yagi Antenna
Connector Type	SMA M/N F/ Customized
Operating Temp.	-40~+55°C
Mounting	Clamp Type / Pole Mount
Cable Length	300 MM / Customized
Cable	RG58
Material	Aluminium
Compliances	CE compliant
ROHS	ROHS Compliant



FEATURES

- Wide Frequency Range
- Light Weight
- High gain
- Easy to Install
- Vertical or Horizontal Polarization
- All-Weather Operation
- Best for Outdoor applications.

[Click Here](#)



Installation Guidance

CALL OR  **+91-8800386366**

Follow Us For More Updates **GLEAMLIGHTINDIA** /     

Info@gleamlightindia.com/www.gleamlightindia.in/gleamlightindia.com/www.gleamindia.com

GLEAM LIGHT INDIA PRIVATE LIMITED

12B Block -A, Behind Kanishka Garden, Amar Colony Main Rohtak Road Nangloi, New Delhi, Delhi 110041

